

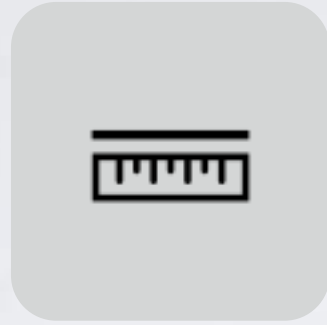


Creator 3

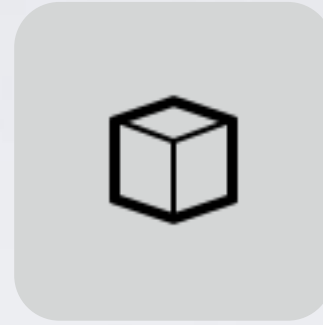
Creator 3 for larger build size, higher speed, and capable of printing water-soluble support with independent dual extruder.



Independent dual extruder



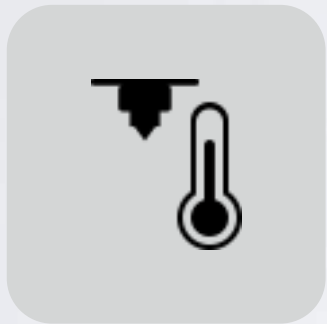
Accuracy of $\pm 0.2\text{mm}$



300*250*200mm



120°C heating plate



300°C heating Nozzle



Wide range of materials



FlashPrint software



Cloud

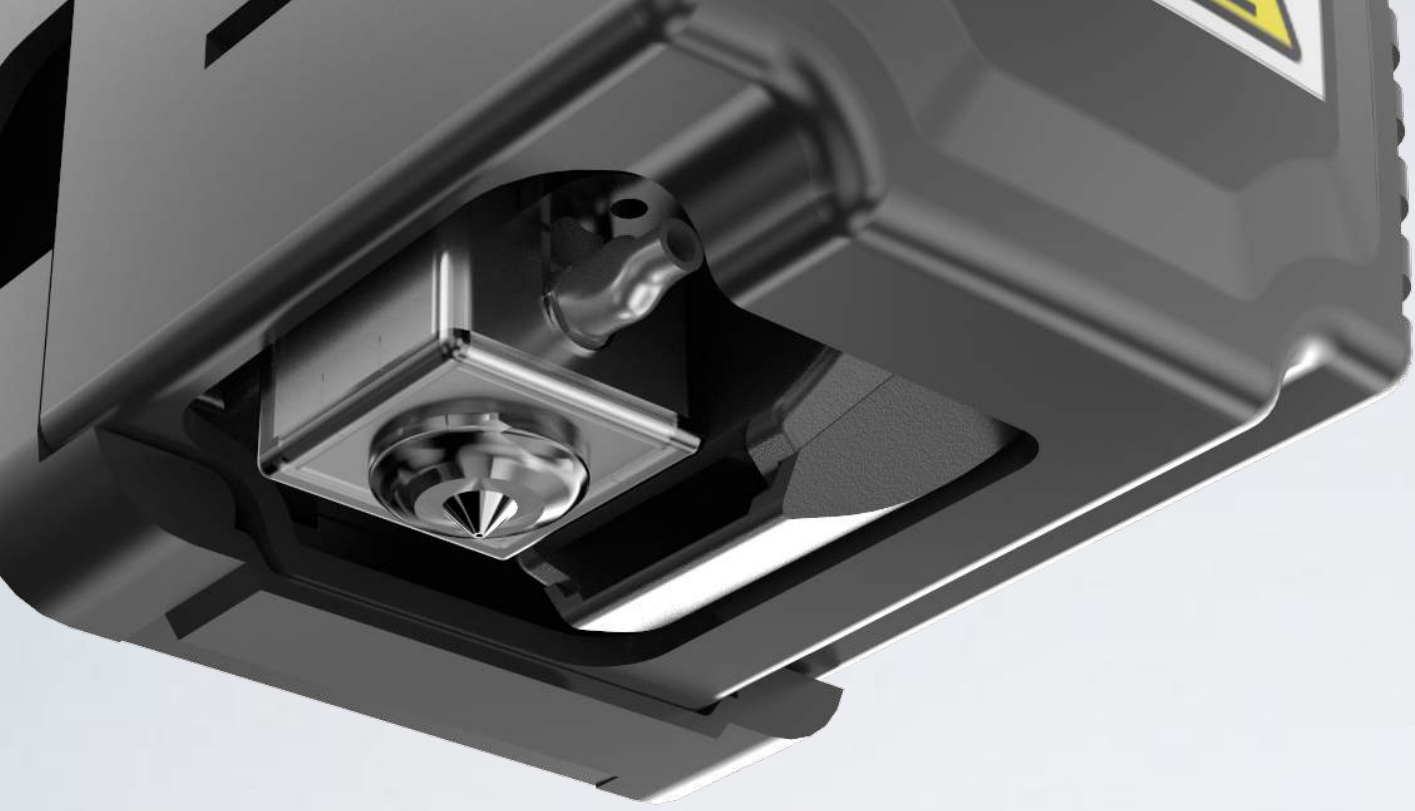
A 3D printer is shown in Mirror Mode, printing two identical, vertically oriented, cylindrical objects. The object on the left is purple, and the object on the right is pink. Both objects feature a complex, wavy, ribbed texture. The printer's internal components, including rollers and fans, are visible in the background. The scene is dimly lit, with the primary light source highlighting the printed parts.

Mirror Mode

X2 Output

INDEPENDENT DUAL EXTRUDER

Double efficiency of the Mirror Printing. Creator 3 make it come true that more complicated prints can be printed perfectly with independent dual extrusion and water-soluble filament. Make the impossible possible and achieve the expected printing effect.



300 °C

Integrated Nozzle design support 300 degree heating temperature.
Wide range of materials allow printing according to users' need and
achieve perfect print effect.



INTELLIGENT LEVELING

with extruder sensor

Totally automatic Z-axis calibration. You just click on the screen, the device will run automatically and the program will record the height data of left and right extruder.

The plate leveling is exceedingly simple because of nozzle sensor and visualization tips.

A detailed 3D rendering of a 3D printer's nozzle assembly. The nozzle is a complex, multi-part structure with a central extruder tip. It is surrounded by various support structures, including a large blue cylindrical component at the bottom. A special brush is integrated into the design to clean the nozzle. A warning label with a yellow exclamation mark and a yellow triangle with wavy lines is visible on the side of the assembly. The background is dark and industrial.

Special Brush

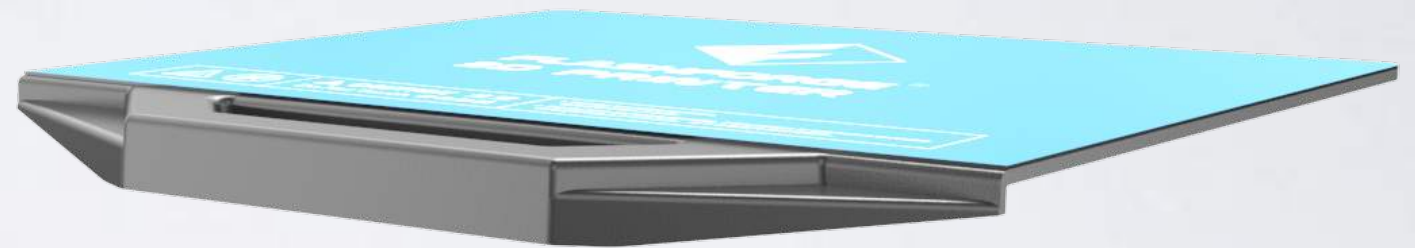
Special brush to remove extra filament which stick to the nozzle, keeping nozzle clean and good model quality.

FLEXIBLE BUILD PLATE

The prints are easy to remove from the build plate (Two solutions offered , one is removing small models by tools, the other is removing large models by bending flexible build plate).

120 °C

Heating Plate



300*250*200 mm

Build volume



A close-up photograph of a printer's internal components, focusing on a camera lens. The lens is a small, circular, blue-tinted lens mounted on a black plastic housing. A blue circular callout with a dotted border highlights the lens. The background shows various mechanical parts of the printer, including rollers and a metal frame, all in a dark, industrial setting.

The Build-in Camera

The build-in camera helps to keep an eye on prints in case of incorrect settings, and helps to pause or abort printing via Wi-Fi by cloud.

4.5 inches touch screen

- Adjustable LED lights ensure an optimized 3D printing experience in any environment.
- Air Filter
- Filament detection



FLASHFORGE



**FLASHFORGE
3D PRINTER**

FILAMENT

Suitable for

PA		PLA		ABS		PVA
PETG		PC		WOOD		HIPS

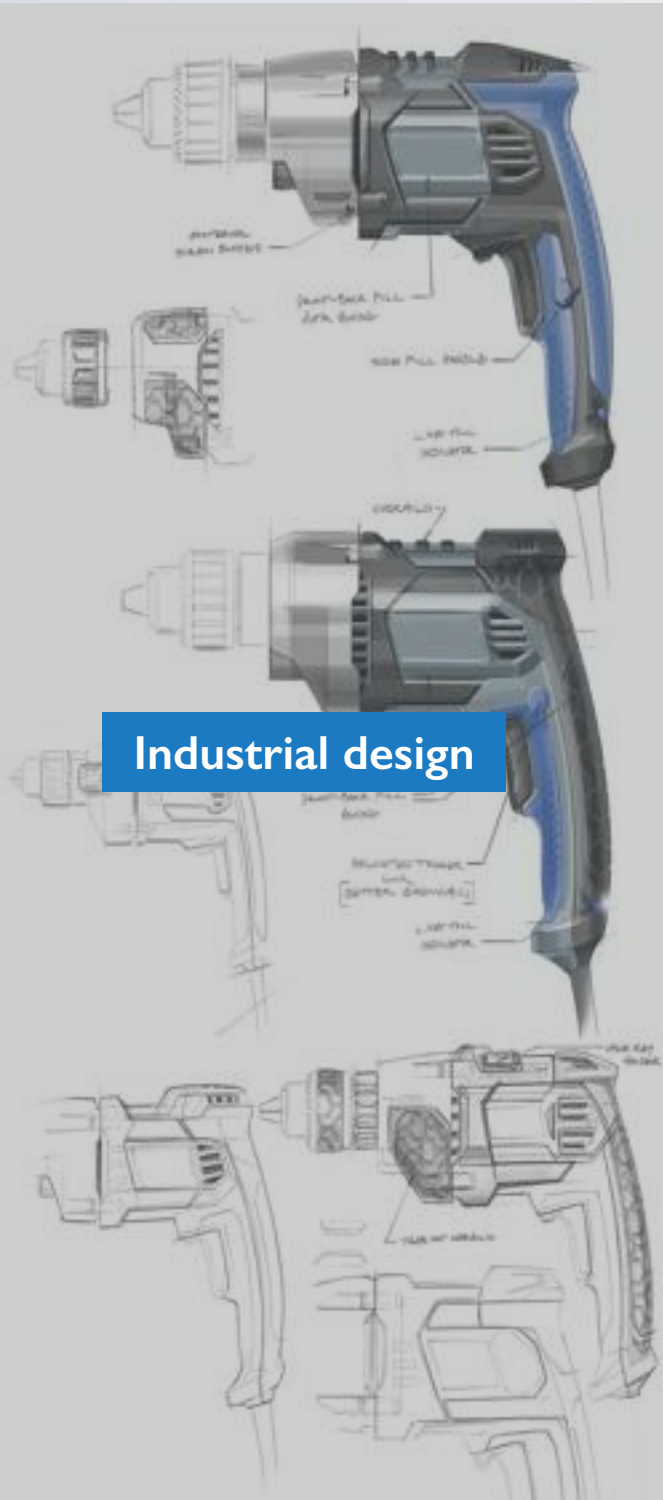
Combination

Left extruder

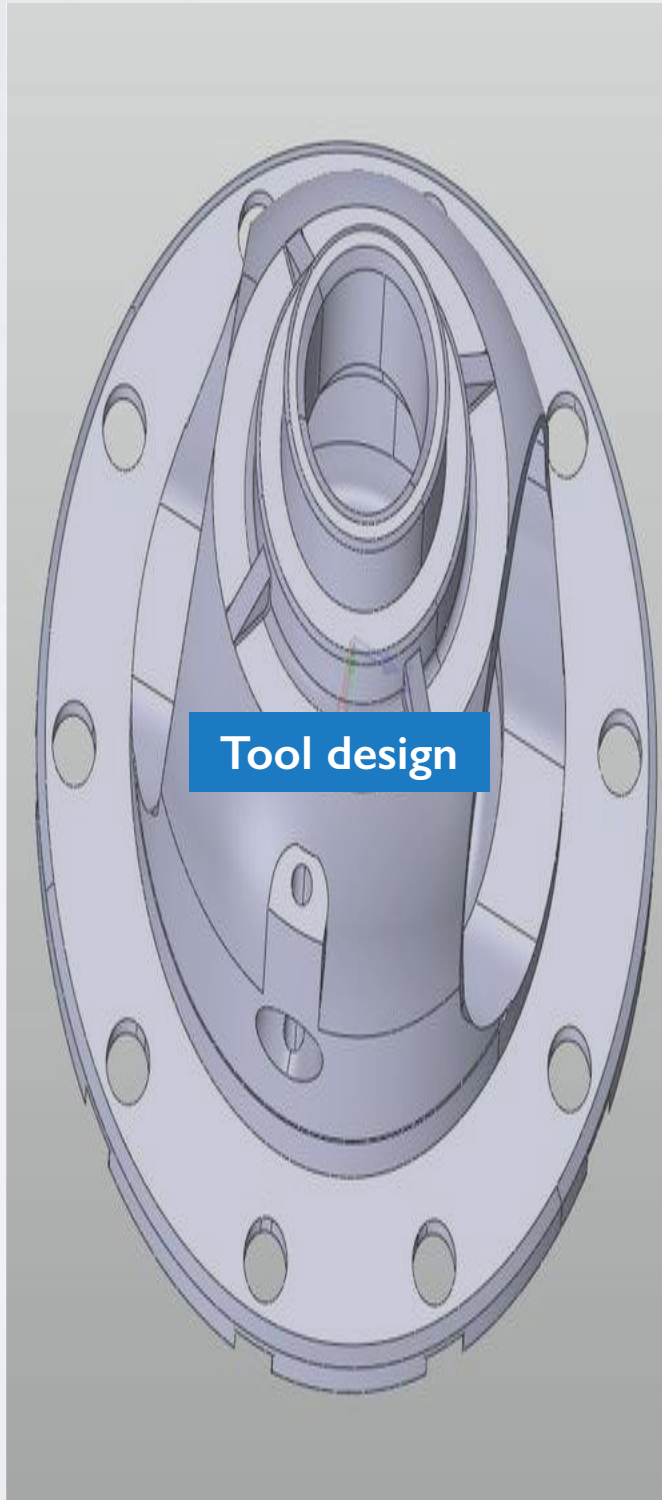
Right extruder

PVA	PA
HIPS	ABS
PVA	PLA

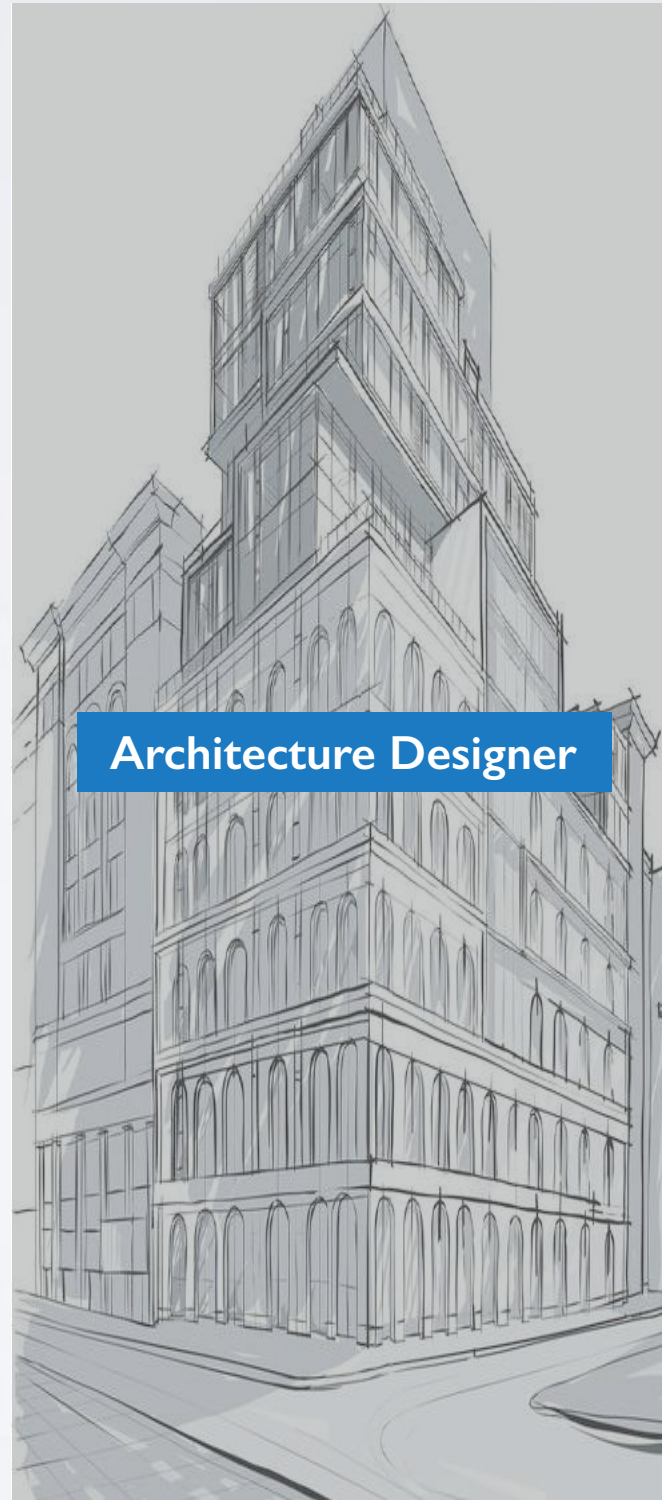
APPLICATIONS



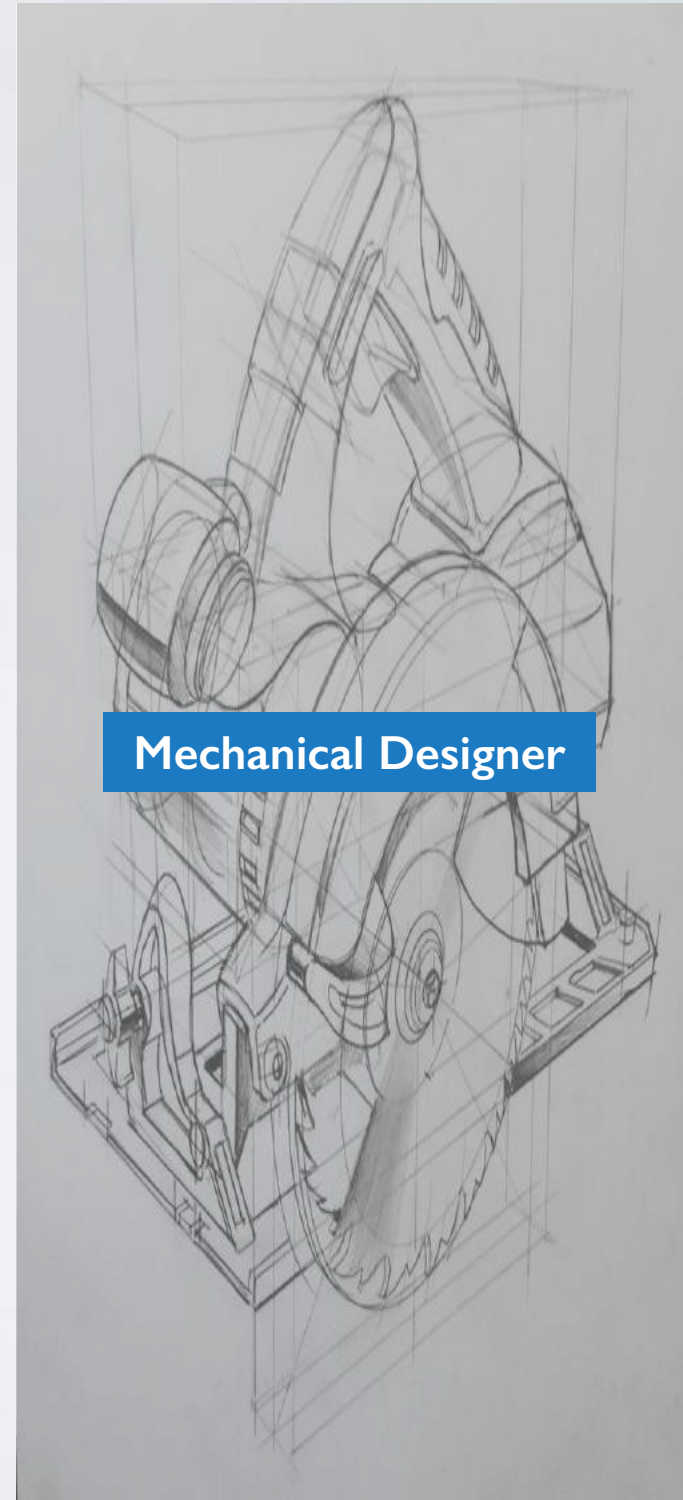
Industrial design



Tool design

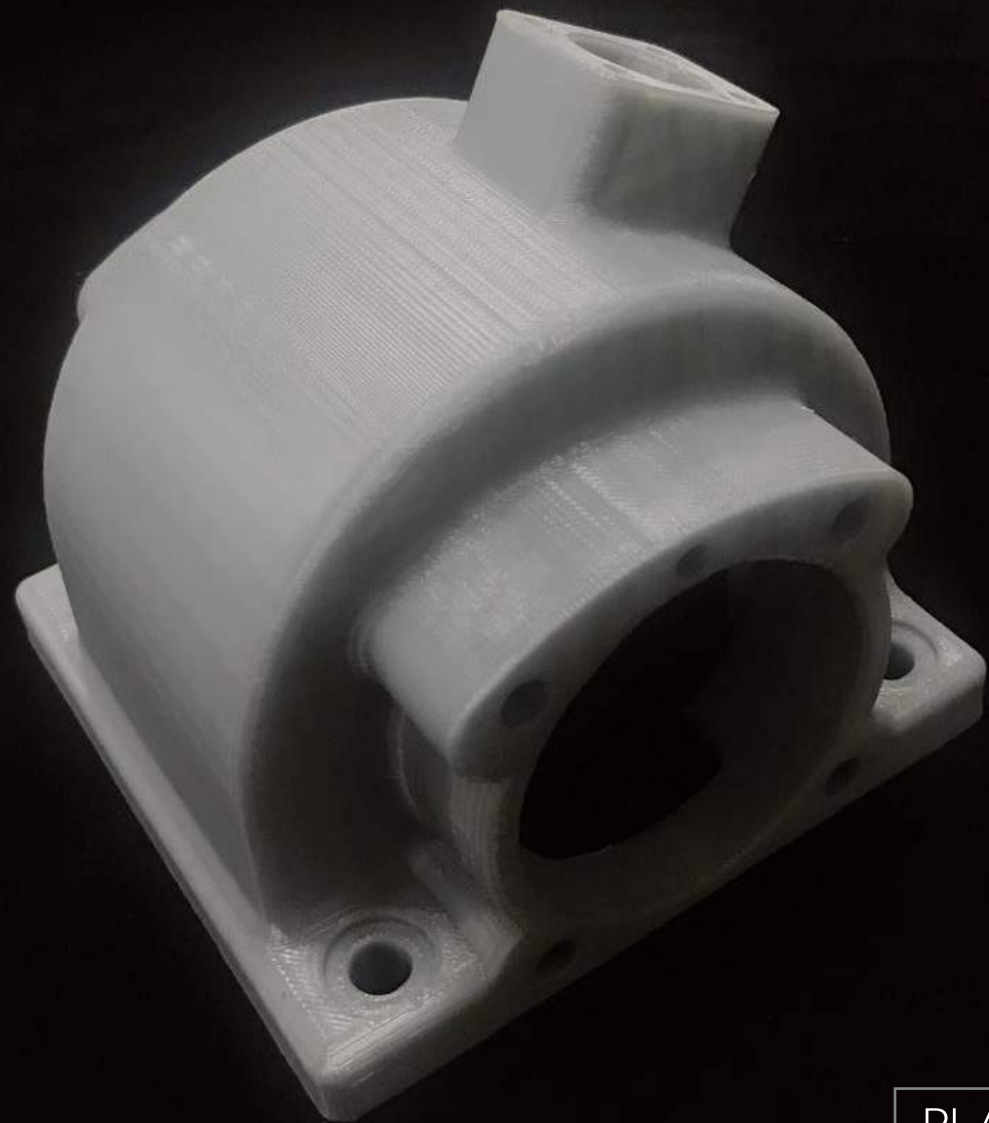


Architecture Designer

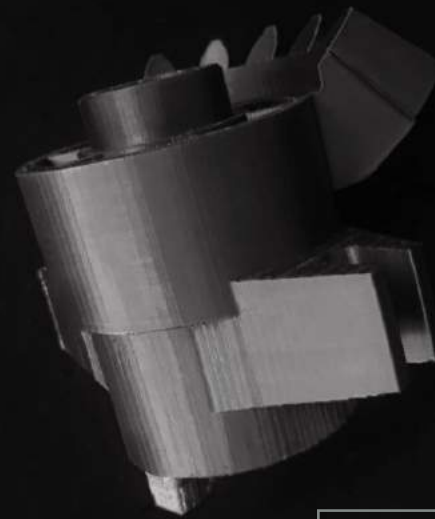
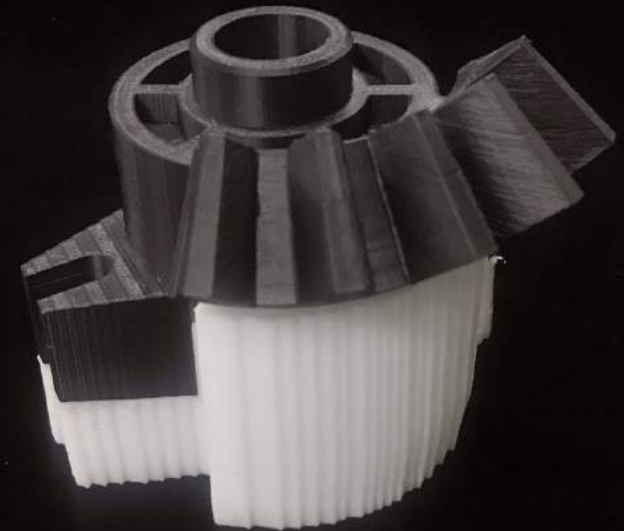
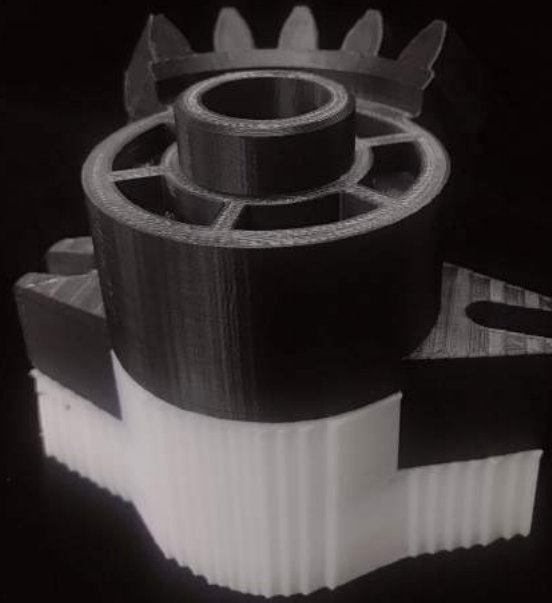


Mechanical Designer

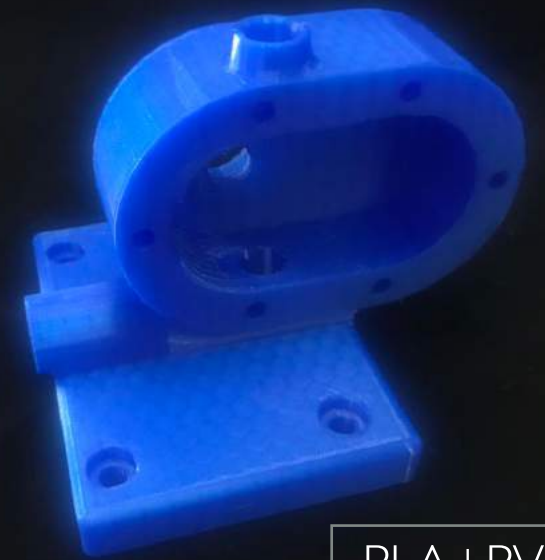
MODELS



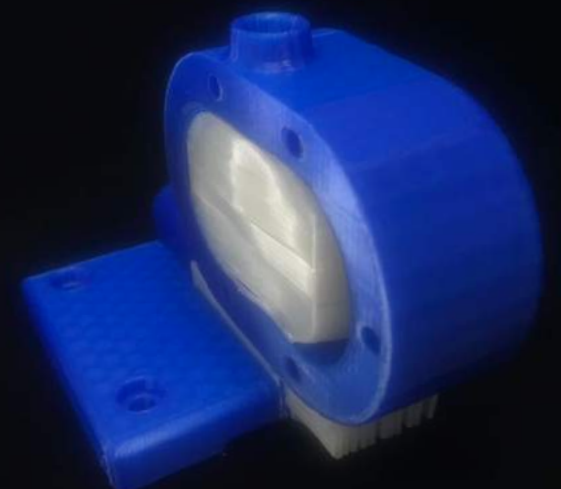
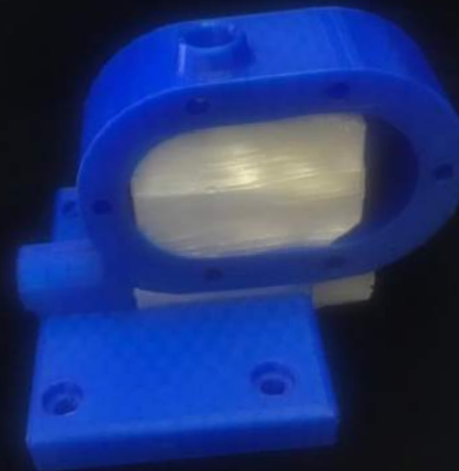
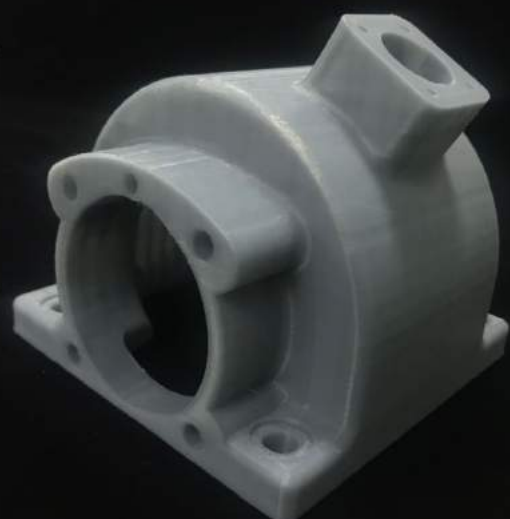
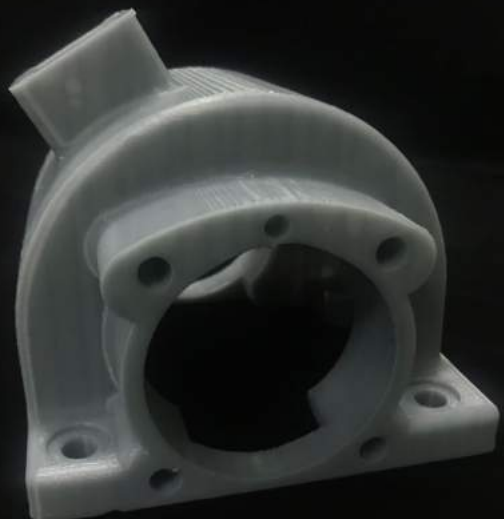
PLA+PVA



ABS+HIPS



PLA+PVA



SPECIFICATION

Print

Build volume:	300*250*200mm
Nozzle temperature:	300°C
Nozzle number:	2, Independent
Nozzle diameter:	0.4mm
Build plate temperature:	Up to 120°C
Print speed:	10-200mm/s

Material

PLA, ABS, PVA, PETG, HIPS, PA, PC, WOOD

Device

Screen:	4.5 inches touch screen
Power:	100-240VAC, 48-63Hz, 500W
Dimensions:	627*485*615mm
Net weight:	45kg
Shipping weight:	52kg

Software

Software:	Flashprint
System:	Win 7/8/10; Mac OS; Linux
File type:	Input: 3MF/STL/OBJ/FPP/BMP/PNG/ JPG/JPEG Output: GX/G
Communication:	USB stick; Wi-Fi; Ethernet
Cloud:	FlashCloud; PolarCloud



**Your partner with industrial
professionalism**